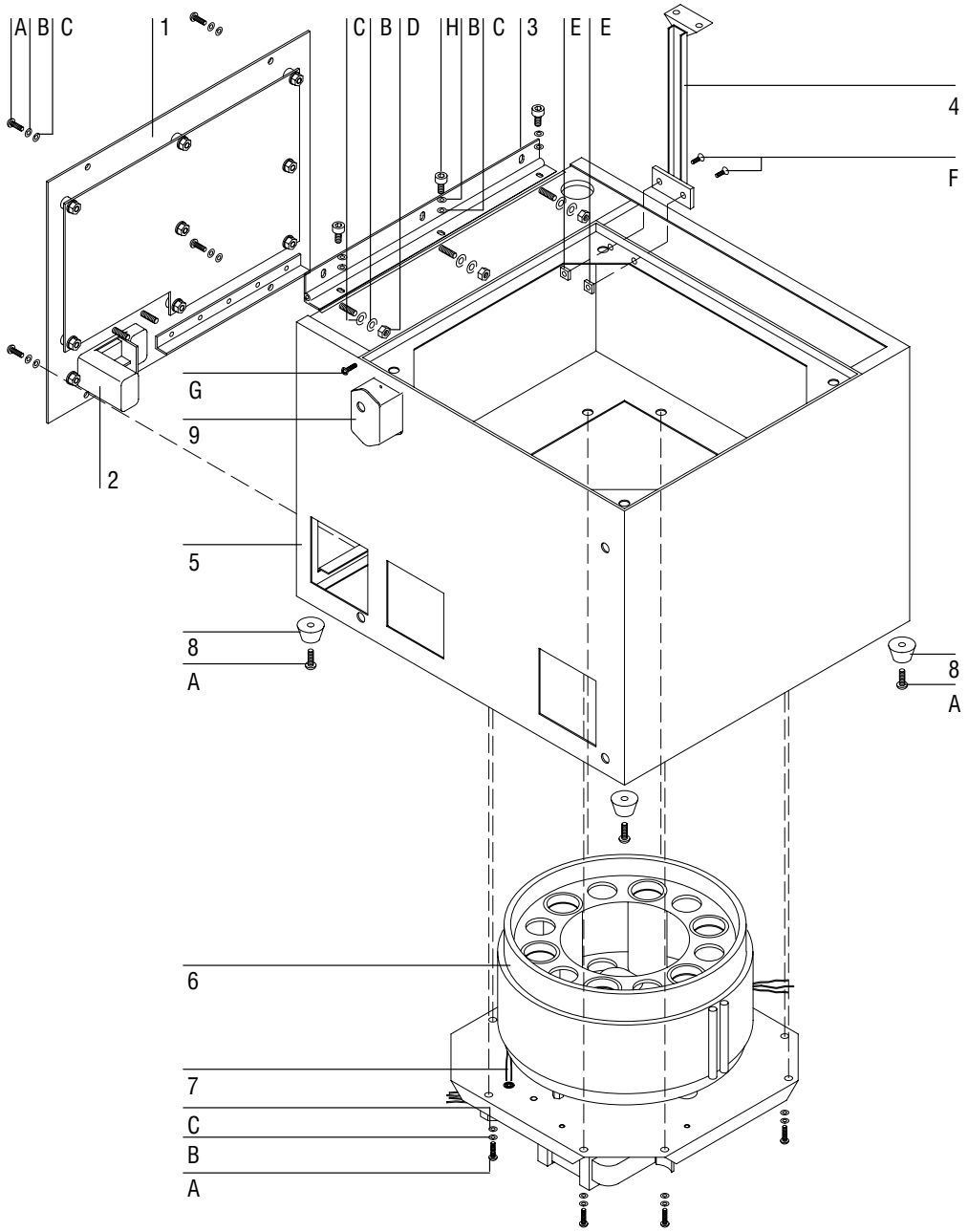


---

## 7694 Carousel

	<b>Description</b>	<b>HP Part No.</b>	<b>Qty</b>
1	Plate, back (See figure 6-1 1 )		1
2	Main switch	485-047-HSP	1
3	Hinge, oven case	301 -1 1 9-HSP	1
4	Rod, lever lock cover	301 -01 9-HSP	1
5	Frame, base case	301 -1 1 0-HSP	1
6	Carousel (See figure 6-8)		1
7	Sensor, temperature PT 1 00	435-001 -HSP	1
8	Foot, rubber	301 -005-HSP	4
9	Filter, power supply	455-01 1 -HSP	1
<b>Associated screws, washers, and nuts</b>			
A	Screw, M4 X 1 2 pan head	051 5-0909	1 2
B	Washer, toothed D4	21 90-0640	1 1
C	Washer, flat D4	3050-0893	1 1
D	Nut, M40535-0006	3	
E	Nut, M4 (square caged)	300-880-HSP	2
F	Screw, M4 X 1 0 flat head	300-838-HSP	2
G	Screw, pan head M4 X 8	051 5-091 0	1
H	Screw, socket head	300-837-HSP	3



**Figure 6-7.** Removing the Carousel